

## THE BEST OF BOTH WORLD!

FUSION, a new series of taps made of engineering polymers and brass. Making use of the inherent properties and strength of both materials. The body is made of brass, the solid feel of brass convey a sense of high value and luxury. The shut off mechanism is made of engineering polymer, the most durable material for this type of application. Meeting all international standards (BS5412 and EN200). 2 million of these patented mechanisms are manufactured yearly and have been in use for the past 15 years with proven performance.

# FUSION

*by Watertec*

*the hybrid tap*



basin tap



bib tap

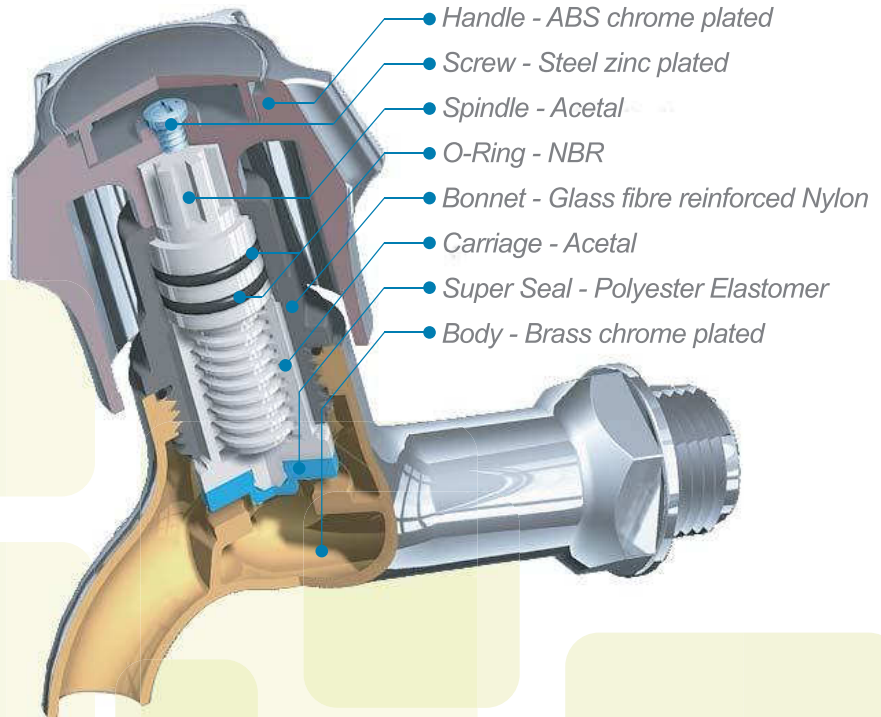


wall sink tap



stopvalve f&f

### material



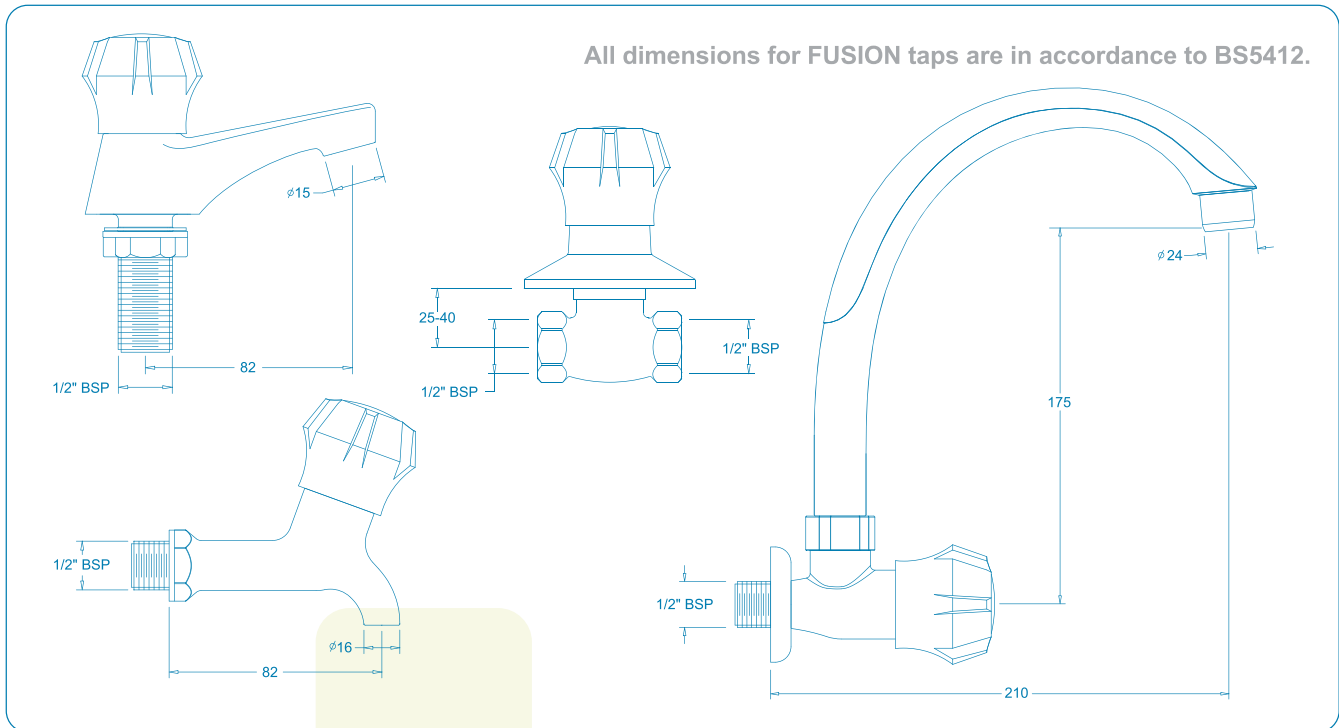
### cost effective

Polymer parts are used to construct the heart of the tap. The superior wear resistance of acetal and the ability to keep tight tolerances with large volume production ensures repeatable quality at minimal cost. Non load bearing parts of the taps are replaced with engineering polymers to provide further cost savings.

### ease of maintenance

Many end users have encountered difficulty in changing leaking seals of full brass taps as manufacturer tends to overtighten to prevent leakage. Furthermore brass parts have a tendency to corrode under saline condition that 'freezes' up the tap and make maintenance difficult. With the introduction of engineering polymer, the parts are precision moulded and therefore require minimal assembly force to maintain tight and leak free joints. This makes disassembly easier for maintenance purposes.

## technical specification



## flow rate test

All FUSION taps have exceeded the BS5412 hydraulic characteristic test: 7.5 liter/min with running pressure of 0.1 bar.

## endurance test

Our taps have passed the BS5412 mechanical endurance test. The taps are cycle tested opening & closing using hot and cold water alternatively for periods of 15 minutes for 200,000 cycles. The spout swiveling action for wall sink tap was tested for 80,000 cycles with a turning angle of  $110^\circ$ . After these stringent tests, the taps undergo watertightness test with pressures set below. The results are reassuring, all taps having passed with flying colours with no permanent distortion or leakage.

## water tightness

Tightness of tap assembly	Position of handle	Outlet orifice	Cold water test		Air test immersion in cold water		Result
			Test conditions	Test conditions	Test conditions	Test conditions	
			Pressure (bar)	Duration (sec)	Pressure (bar)	Duration (sec)	
Upstream	Closed	Opened	16	60	6	20	No leak
Downstream	Opened	Closed	4	60	2	20	No leak



SIRIM  
CERTIFIED TO BS5412: 1996  
Certification No : PW003401



WATERTEC (MALAYSIA) SDN BHD (Co. No. 98549-K)

Lot 3, Jalan Halba Satu 16/16A, Section 16, 40200 Shah Alam, Selangor Darul Ehsan, Malaysia.

Tel: ++60 (0)3 5510 7808 Fax: ++60 (0)3 5510 7782 Website: [www.watertec.biz](http://www.watertec.biz) Email: [wtc@watertec.biz](mailto:wtc@watertec.biz)

**WATERTEC**  
Simply Better